

Turntable, model **CEU7500**

for indoor and outdoor use:

The model **CEU7500** allows a central load of 750 kg maximum. The main difference between the **7500** and the **5000** are stronger components like ball bearings and axes. Thanks to the traversing hollow shaft having this turntable can be used rather universally, for example, for driving a rotating showcase, rotary objects for indoor and outdoor publicity, for exhibition objects, for columns as publicity purposes in the cities, either with or without slip ring for rotating current transmission. We would like to draw your particular attention to the load diagram. Especially for outdoor use the wind surface has to be stated which should not exceed 1 m².

Advantageous features:

- torsion free
- traversing hollow shaft having an inside diameter of 42 mm
- very silent
- suited for both indoor and outdoor operation
- maintenance-free
- safety clutch
- rotating current transmission (sliprings)

Technical Details:

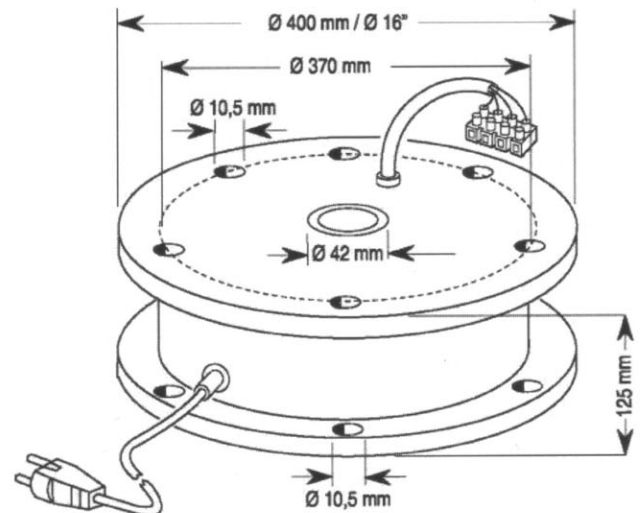
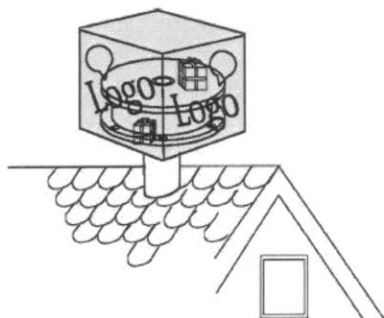
total height: 125 mm
 max. centric load: 750 kg (see load diagram)
 nominal Voltage: 220 to 240 V, 50 Hz,
 optional 115 V, 60 Hz
 nominal rating: 7.2 Watt
 rotation speed: 1 rpm, turning clockwise
 dead weight: 24 kg

Additional Equipment::

(on demand and on extra charge)

- Slip ring for rotating current transmission up to 4 ways (standard 4 amp), 8 amp in special design + protective conductor
- cycle operation / reversible operation
- rotation: 1 rpm, counterclockwise
- manually change of rotation direction
- security construction for 500 kg hanging load

Subject to technical changes



CEU7500 load diagram

Max. acceptable load in kg with excentric load distribution (distance from rotational axis in cm).

