

## Rotary Platform for Heavy Load CSO1SR

Sturdy welded steel structure, large distortion-free support, ball placed turn-stile bearing suitable to take up huge-size structures. For horizontal use only. Suitable also for large size displays.

### 2 Models are available:

- for indoor operation
- or outdoor operation. In this case the lateral thrust due to the wind must be calculated. The turning platform must be protected on the part of the builder (client) against jets of water pursuant to protective class II.

We recommend to use our automatic lubricator. When using a long-time cartridge and on the condition that the average temperature is 15 centigrade plus the lubrication of the ball turning rim is secured for about 35 months. The rotating transfer of current is ensured by a connection with terminal block for max. 8 A.

### Packing

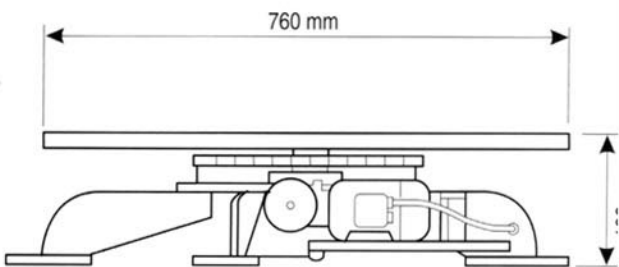
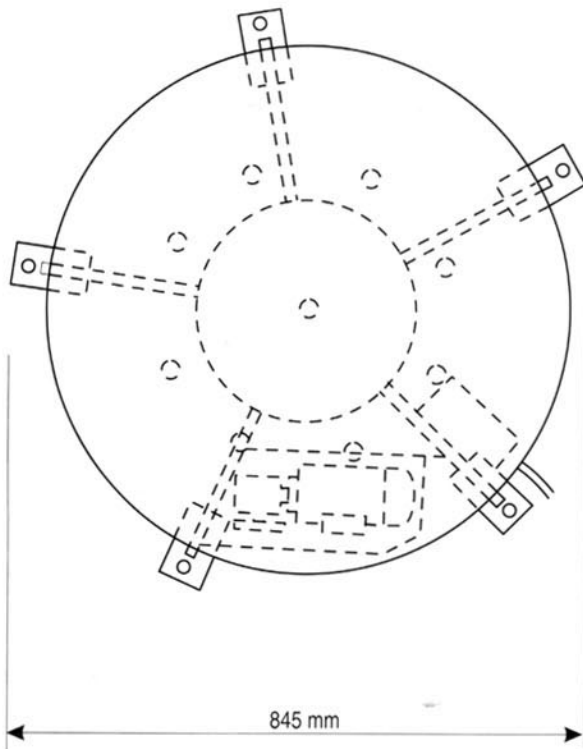
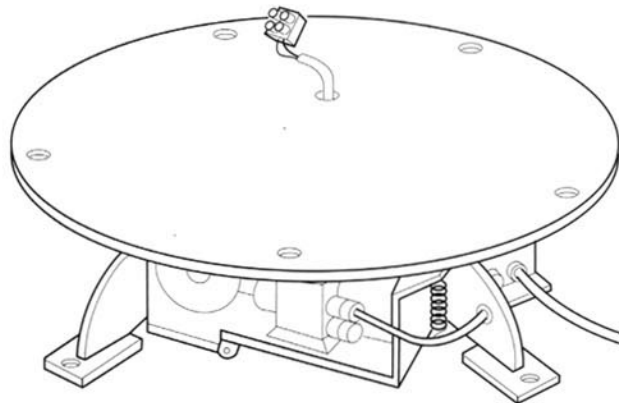
Transportation case 860x860x350 mm (multiple use) (may be undercarted by handcart)

### Special accessories: against overprice:

- circuit closer, circuit breaker.
- sense rotation to the left (for orders as from 10 pcs).
- other speed (for orders as from 10 pcs).

### Standard design;

foot diameter: 845 mm  
 top diameter: 760 mm  
 construction height: 190 mm  
 max. load capacity: 1000 kg  
 power connection: 220-240 V, 50 cycles, or 120 V, 60 Hz.  
 motor power input: 40 watts  
 slip ring: 220-240 V, 8 amps  
 sense of rotation: cw  
 speed of rotation: 0,8 RpM  
 conducting cable: 2 m, 3x1 square mm, Schuco plug  
 proper weight: 72 kg (incl. transportation case 94 kg)  
 motor protective circuit breaker  
 colour: galvanized.



Basic turntable with coll.-ring for indoor use, 220-240 V

**Order-No. CSO1SR-Indoor**

Basic turntable with coll.-ring for outdoor use, 220-240 V

**Order-No. CSO1SR-Outdoor**



220-240 V  
120 V



0,8 UpM

