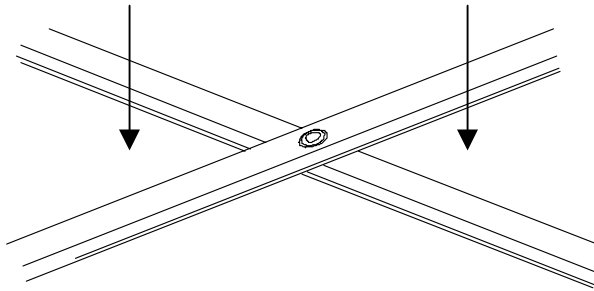


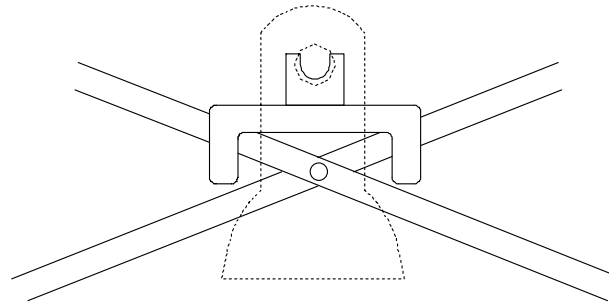
Evolution lighting – attachment instructions

(Low voltage & Mains lighting only – excludes 200w halogen lighting)



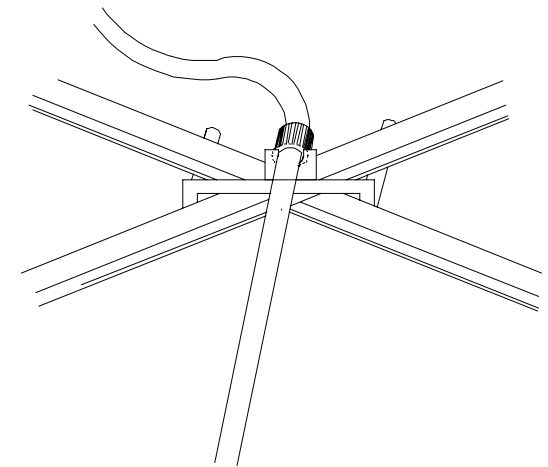
1. **View of upper cross section of frame.**

Arrows indicate where the "claw" light fitting fits into place.



2. **Position light with lamp towards the ceiling and facing the front of the panel.**

Lower the light between the cross of the frames as shown.



3. **Gently tilt the light forward with the feet of the "claw" sliding beneath the cross of the frame.**

Lower until the "claw" is resting against the frame.