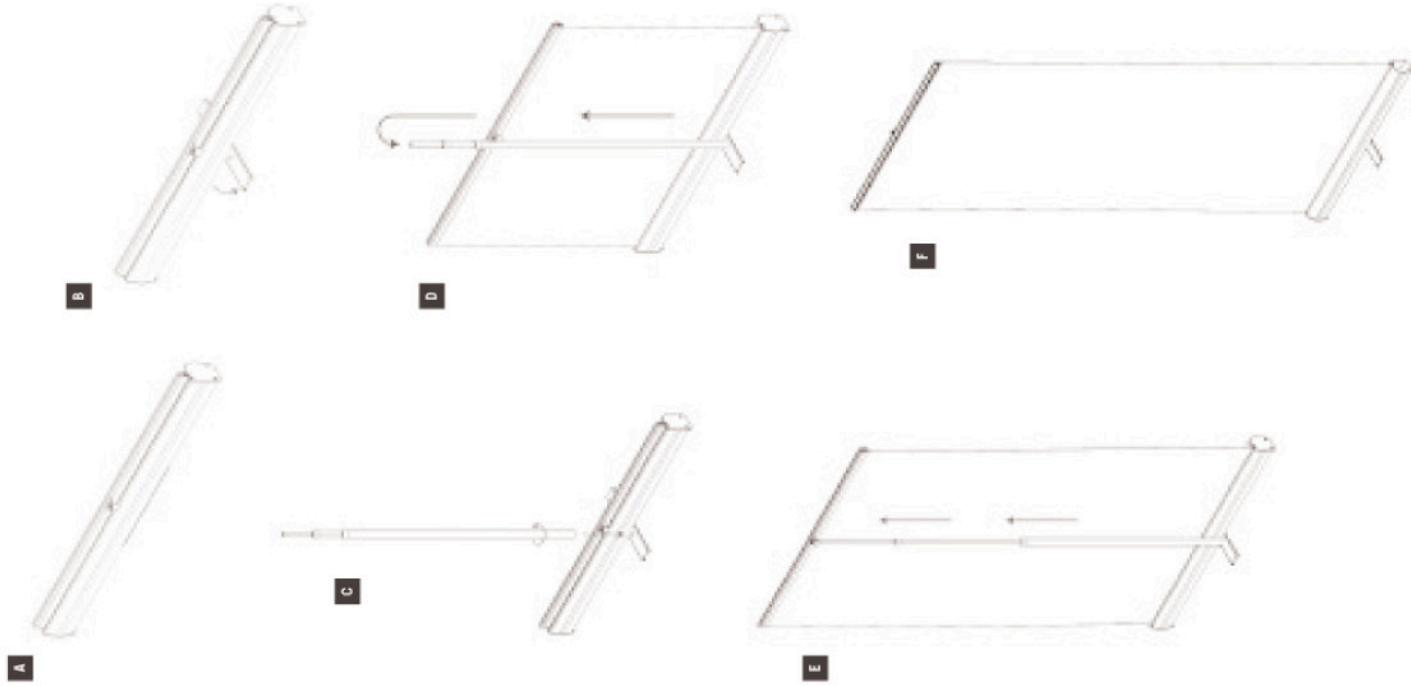


POD

ASSEMBLY INSTRUCTIONS



SPECIFICATIONS

GRAPHIC PANEL SIZES

Finished graphic panel size
2150 x 800mm

Visual graphic area

2100 x 800mm

Maximum finished graphic panel thickness
250 micron

SYSTEM SIZES

Unassembled
815 (W) x 65 (D) x 85 (H)mm

Assembled
815 (W) x 250 (D) x 2180 (H)mm

WEIGHTS (INCLUDING GRAPHIC & BAG)

3.1kg

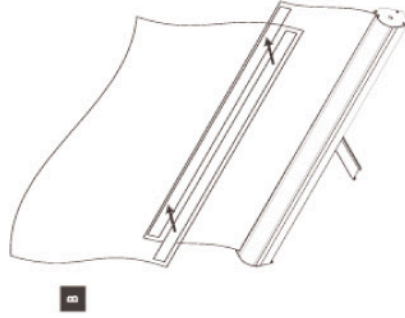
COMPONENT LIST

- Pod unit
- 3 part telescopic pole
- Graphic gripper rail
- Padded carry bag

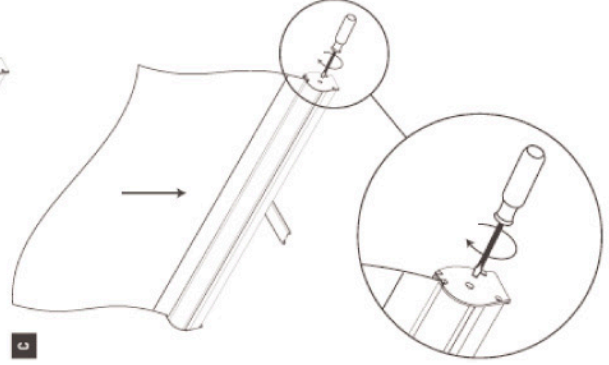
GRAPHIC ATTACHMENT



A Attach top rear of graphic panel to double sided tape on top hanger.



B Attach hook Velcro® to rear bottom edge of graphic panel to leader sheet by positioning hook Velcro® against loop Velcro®. Ensure graphic panel is aligned parallel to the leader sheet.



C Use a standard flat headed screw driver to wind the graphic into unit. We recommend between 20 and 30 complete clockwise turns to achieve optimum tension, although this may vary (+/-) with different styles of graphic material.

IMPORTANT NOTES

When retracting a graphic always slowly guide it into base housing, otherwise graphic damage may occur.

To ensure a proper bond between graphic and hanger bar pressure must be applied. Also the adhesive should be allowed to cure for 24 hours before the Pos is used.

REMOVING THE TENSION FROM A POD

To un-tension graphic panel place a flat headed screwdriver into the slot and push to disengage ratchet.

Hold in and turn anti-clockwise until tension in spring is released. To remove graphic panel carefully peel it off leader sheet. The graphic hanger can also be removed or a new hanger can be purchased.

01256 768178

COKEREXPO
EXHIBITION SYSTEMS LTD

www.cokerexpo.co.uk